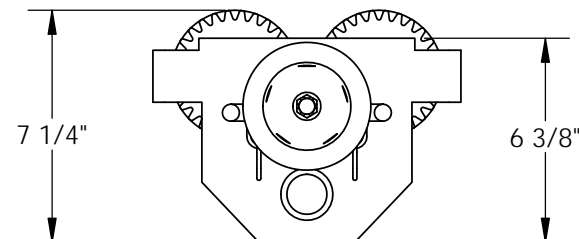
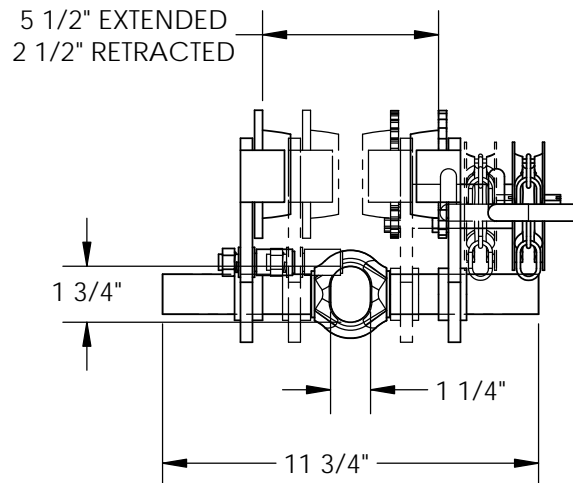
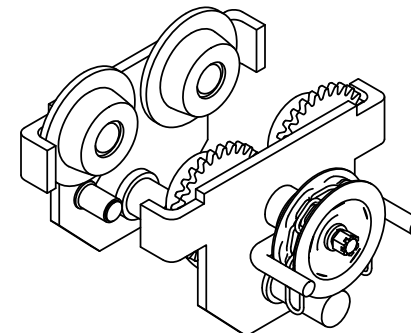
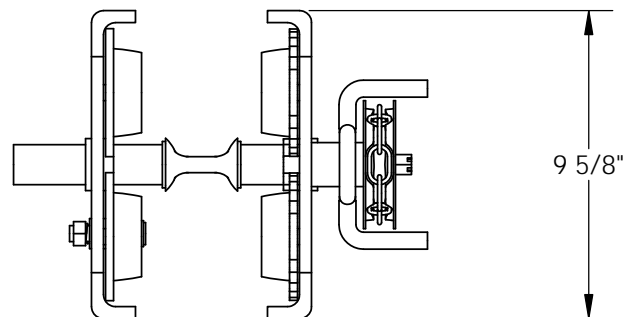


MODEL NAME - E-MT-2-C

APPROX WEIGHT: 25.59 lbs.
DOES NOT INCLUDE WEIGHT OF POWER OR PACKAGING!!!

*** ANY ADDITIONS, DELETIONS, OR OMISSIONS MUST BE CORRECTED ON THIS DRAWING AS THIS DRAWING WILL BE CONSIDERED ALL INCLUSIVE ***

ALL GRAPHICS PROVIDED ARE FOR REFERENCE ONLY. IF CERTAIN DIMENSIONS ARE CRITICAL PLEASE VERIFY THOSE DIMENSIONS WITH YOUR SALESPERSON



DIMENSION TOLERANCE ± 1/4"

STANDARD FEATURES

- MODEL NUMBER IS E-MT-2-C
- EYE MANUAL TROLLEY
- GEARED LOW PROFILE
- OVERALL WIDTH IS 9 5/8"
- OVERALL LENGTH IS 11 3/4"
- OVERALL HEIGHT IS 7 1/4"
- MAX CAPACITY IS 2,000 LBS
- FITS BEAM FLANGE OF 2 1/2" TO 5 1/2"
- TROLLEY WIDTH IS ADJUSTED BY ROTATING CENTER ROD

NOTE: USE ON "S" TYPE BEAM ONLY

SPECIAL FEATURES

NONE

A P P R O V A L

I, THE UNDERSIGNED, AGREE THAT THE PRODUCT AS REPRESENTED SATISFIES DESIGN AND DIMENSION REQUIREMENTS. I ALSO ACKNOWLEDGE MY DUTY TO CONFIRM PRODUCT AND INSTALLATION COMPLIANCE WITH ALL APPLICABLE FEDERAL, STATE AND LOCAL REGULATIONS AND STANDARDS.
ALL SPECIAL UNITS ARE NON-RETURNABLE
[] As drawn [] As marked

Signed: _____ Date: _____

LEAD TIME WILL START UPON RECEIPT OF SIGNED APPROVAL DRAWING

FOR INTERNAL USE ONLY PROJECT SIGN OFF	
SALES	
ENG.	
FAB.	
POWER	

DISTRIBUTOR'S NAME:		P.O.#
VESTIL MANUFACTURING		X
DRAWN BY: WHR	DATE: 6/1/12	W.O.#
REFERENCE: X	SCALE: 1:6	X
QUOTED LEAD TIME: X	QUOTE #	FILE NAME:
	X	30-007-259